



KITSCH-NITSCH[®]

application instructions



plastic squeegee



a soft but firm plastic (credit) card



scissors



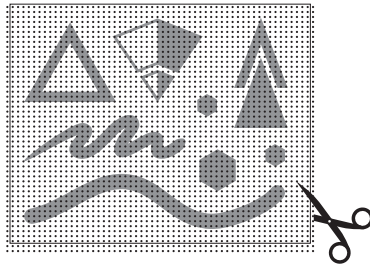
knife



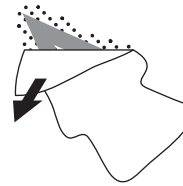
squirt bottle



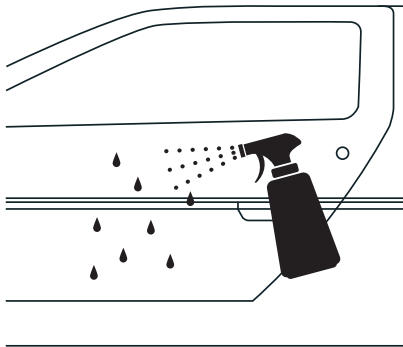
telephone
(to call a handy friend)



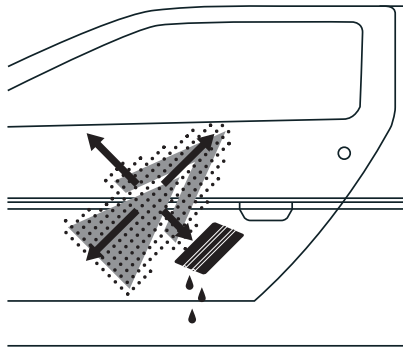
1 Cut the set to individual elements (if necessary).



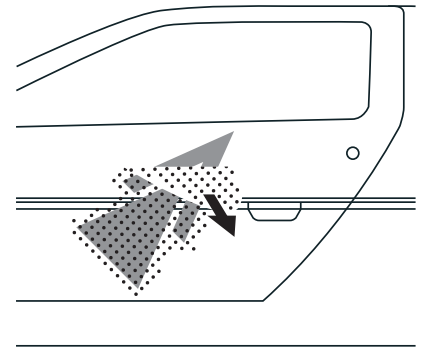
2 Place an element face down and peel off the release paper.



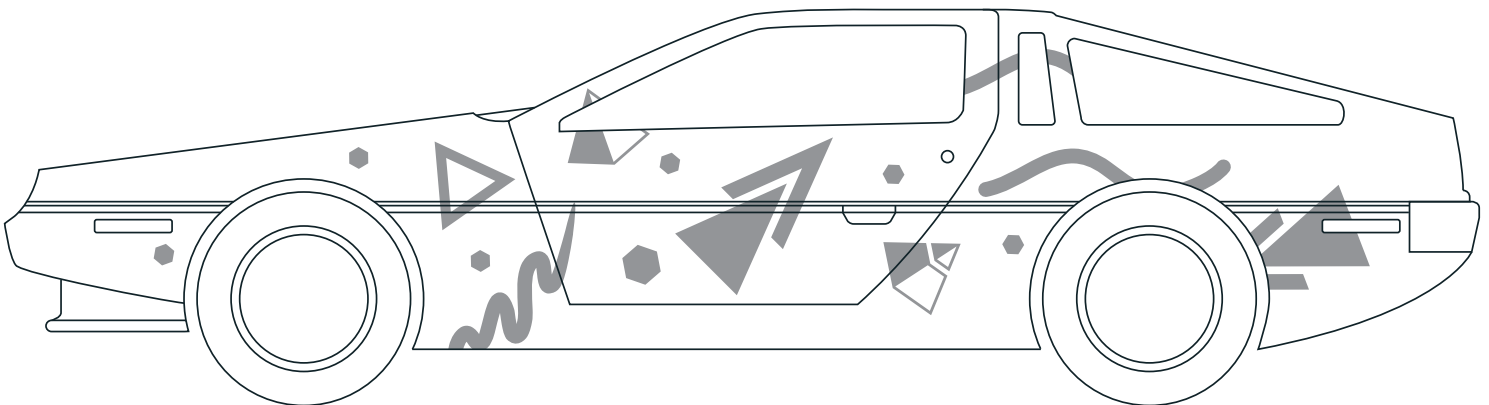
3 Spray plenty of soap water (you can mix water with dish washing detergent) on to the surface, where you will apply the element.



4 Position the element, then hold it down firmly while using the squeegee to force the water from underneath the vinyl. Re-adjust if wrinkles appear. Wait a few minutes for the water to dry a little, then repeat squeegeeing a second time.



5 Carefully remove the transfer film by pulling over on itself at a sharp angle. If there are any large air bubbles trapped under the vinyl, prick a small hole with a needle to let the air escape.



6 Repeat steps 2 - 5 until your artwork is finished. Use a soft mitten or some cloth to tightly secure the elements to the surface. Do not use the squeegee to avoid scratching the vinyl.

THE APPLICATION PROCEDURE WITH SOAP WATER CAN BE USED WITH ANY OTHER EXTREMELY SMOOTH SURFACE (WINDOWS, ACRYLIC AND WOODEN LACQUERED PANELS ETC).
Apply to flat, clean and dry surfaces. Vinyl is thin, soft and deforms easily. Any irregularities on the surface such as cracks, rust or bulges will be visible if not repaired or removed. Apply to surfaces free of dust and/or oil.
Vinyl is not reusable. Avoid application in extreme temperatures.

